

Instructions



050-3570-00 and above TDS6000 Series, CSA7000 Series, & TDS7000 Series CD-RW Drive Replacement Kit

075-0794-02

Warning

The servicing instructions are for use by qualified personnel only. To avoid personal injury, do not perform any servicing unless you are qualified to do so. Refer to all safety summaries prior to performing service.

www.tektronix.com



075079402

Copyright © Tektronix, Inc. All rights reserved. Licensed software products are owned by Tektronix or its subsidiaries or suppliers, and are protected by national copyright laws and international treaty provisions.

Tektronix products are covered by U.S. and foreign patents, issued and pending. Information in this publication supercedes that in all previously published material. Specifications and price change privileges reserved.

TEKTRONIX and TEK are registered trademarks of Tektronix, Inc.

Contacting Tektronix

Tektronix, Inc.
14200 SW Karl Braun Drive
P.O. Box 500
Beaverton, OR 97077
USA

For product information, sales, service, and technical support:

- In North America, call 1-800-833-9200.
- Worldwide, visit www.tektronix.com to find contacts in your area.

Service Safety Summary

Only qualified personnel should perform service procedures. Read this *Service Safety Summary* and the *General Safety Summary* in the product service manual or the instruction manual.

Do Not Service Alone. Do not perform internal service or adjustments of this product unless another person capable of rendering first aid and resuscitation is present.

Disconnect Power. To avoid electric shock, switch off the instrument power, then disconnect the power cord from the mains power.

Use Care When Servicing With Power On. Dangerous voltages or currents may exist in this product. Disconnect power, remove battery (if applicable), and disconnect test leads before removing protective panels, soldering, or replacing components.

To avoid electric shock, do not touch exposed connections.

Description

This kit provides parts and instructions to replace the CD-RW drive for your TDS6000, CSA7000, or TDS7000 series instrument.

This document supports Tektronix modification: 564 and ECR 30450

Products

TDS6000 Series	All serial numbers
CSA7000 Series	All serial numbers
TDS7000 Series	All serial numbers

Minimum Tool and Equipment List

Required tools and equipment	Description
Screwdriver handle	Accepts 1/4 inch hexagonal-head drive tips
T-15 Torx-drive tip	Torx drive tip for T-15 screw heads
#0 Phillips screwdriver	Screwdriver used to remove the CD-ROM drive
Soldering aid or flat-blade screwdriver	Can be used to remove the front-panel trim

Parts List

Quantity	Part number	Description
1 ea.	063-3575-xx	CLICK N BURN PRO SOFTWARE, LICENSE AND CD
1 ea.	063-3666-xx	SOFTWARE PACKAGE: CLICK'N BURN SOFTWARE PATCH
1 ea.	065-0666-xx	DISK DRIVE; OPTICAL; CD-W224E-A93 CD-RW AND PACKAGING ¹
1 ea.	075-0794-02	INSTRUCTIONS, 050-3570-xx DRIVE REPLACEMENT

¹ This component is referred to as the CD-RW drive in the following instructions.

Description

Installation Instructions



WARNING. *These servicing instructions are for use by qualified personnel only. To avoid personal injury, do not perform any servicing unless you are qualified to do so. Refer to all safety summaries prior to performing service.*

If you need further details for disassembling or reassembling the product, refer to the appropriate product manual. Contact your nearest Tektronix, Inc., Service Center or Tektronix Factory Service for installation assistance.

Remove



WARNING. *To prevent serious injury or death, power off the instrument with the power switch on the rear panel, and disconnect the power cord from the AC power connector.*

1. Set the instrument on a flat work surface with the front facing you.

Refer to Figure 1 when performing the following steps:



CAUTION. *To prevent static discharge damage, service the product only in a static-free environment. Observe standard handling precautions for static-sensitive devices while installing this upgrade. Always wear a grounded wrist strap, grounded foot strap, and static resistant apparel while installing this upgrade.*

2. If present, remove the front-panel cover.
3. Remove the front-panel trim.
 - a. To prevent the standby power button from falling out of the front-panel trim during disassembly, place a piece of tape over the button.
 - b. Grasp the front-panel trim by its top edge and pull the trim toward you to detach the three plastic snaps holding the top of the trim to the chassis. (Alternatively, you can use the flat end of a soldering aid or flat-blade screwdriver to release the snap on each side of the front-panel trim. See Figure 1.)
 - c. Swing the bottom of the front-panel trim upward and lift it from the front panel.
4. Remove the acquisition trim.

- a.** Remove the three T-15 Torx-drive screws that secure the acquisition trim to the instrument.
 - b.** Remove the acquisition trim.
 - 5.** Remove the top-cover trim.
 - a.** If installed, unsnap and remove the accessory pouch from the top of the instrument.
 - b.** Remove the four T-15 Torx-drive screws that secure the top-cover trim (and the snap studs for the accessory pouch) to the instrument.
 - c.** Remove the top-cover trim from the instrument.
 - 6.** Remove the right and left side trim panels.
 - a.** Remove the two T-15 Torx-drive screws that secure the carrying handle to the instrument. Remove the handle.
 - b.** Slide each of the side trim panels towards the rear of the instrument (allowing the tabs to clear the cover openings), and then pull the side trim panel out to remove it from the instrument.
 - 7.** Remove the bottom cover (see Figure 2).
 - a.** Set the instrument upside down so that the bottom cover is facing up.
 - b.** Remove the four T-15 Torx-drive screws that secure the bottom cover to the instrument.
 - c.** Remove the bottom cover.

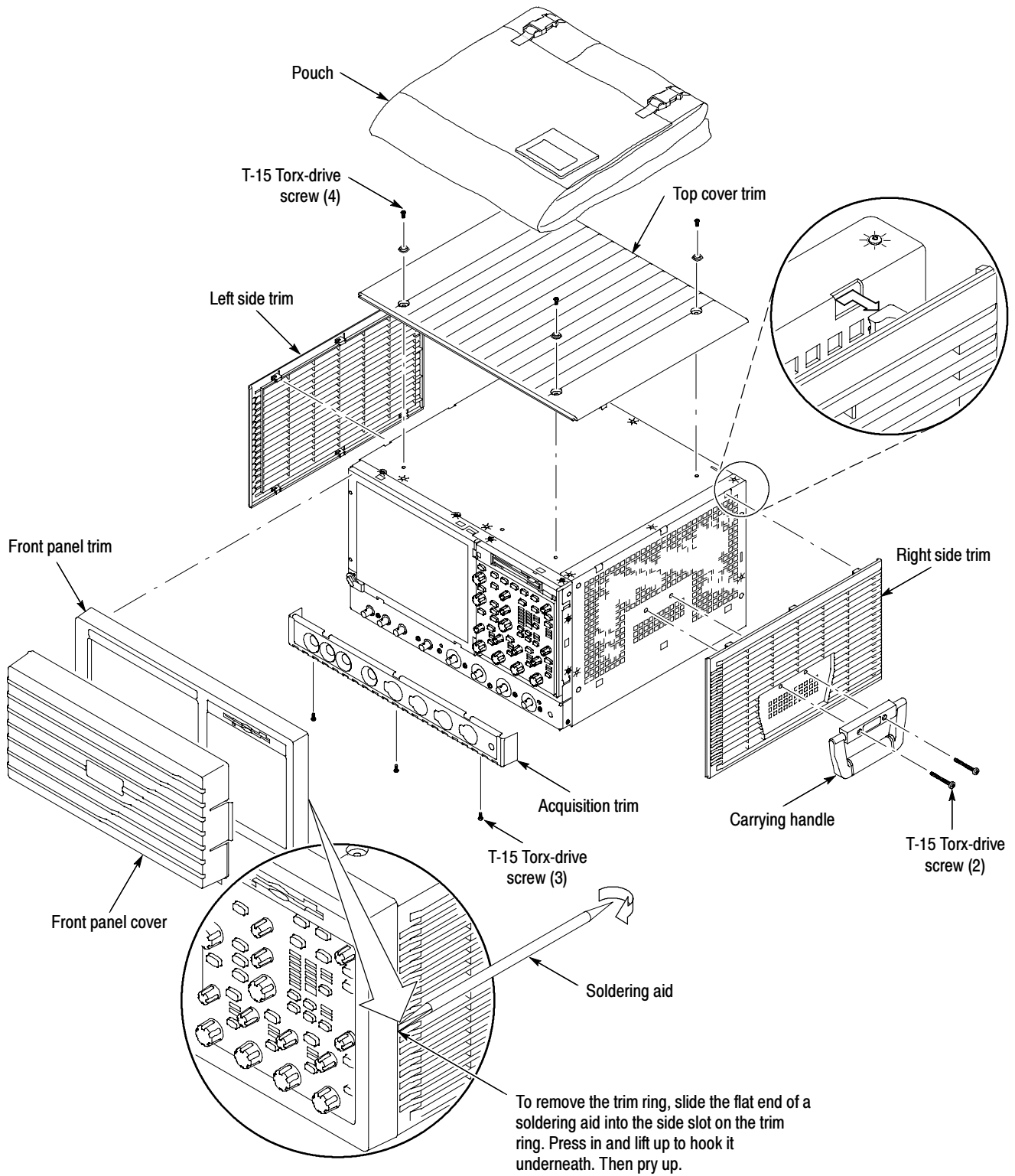


Figure 1: Trim removal

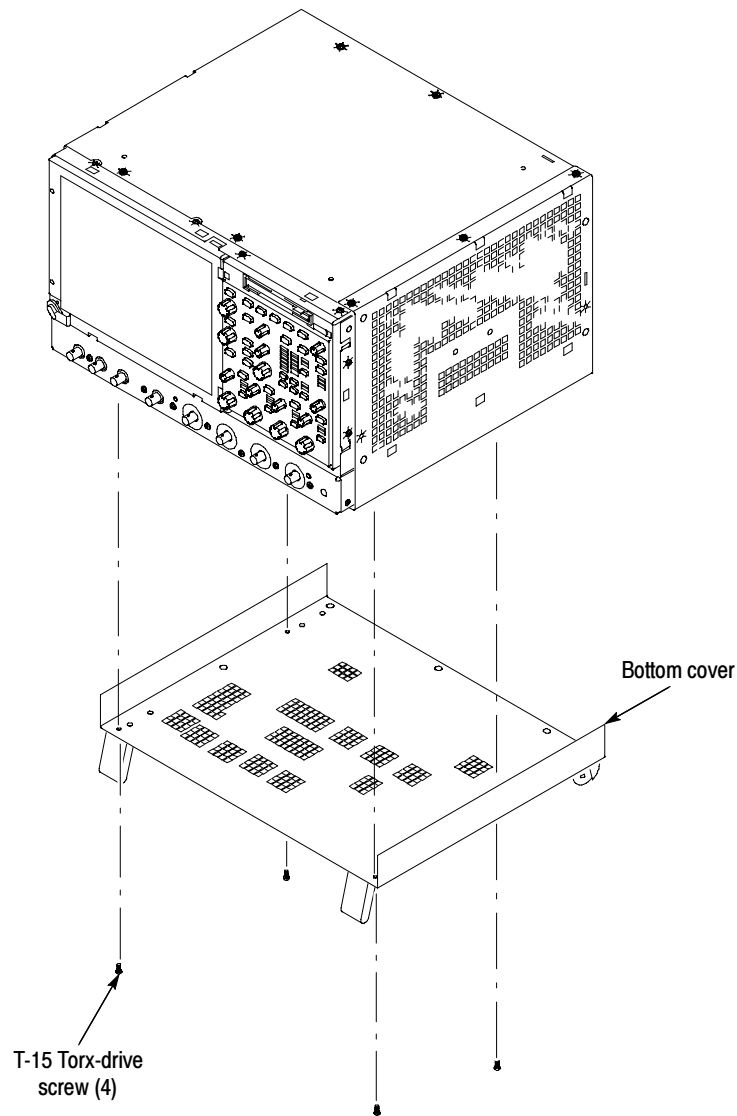


Figure 2: Bottom cover removal

8. Remove the left and right covers (see Figure 3 and Figure 4).
 - a. Set the instrument so that its rear is on the work surface and the front of the instrument is facing you.

NOTE. All mounting screw holes are indicated by a star-shaped pattern around the mounting hole.

- b. Remove the 11 T-15 Torx-drive screws that secure the covers to the top and both sides of the chassis (see Figure 3).

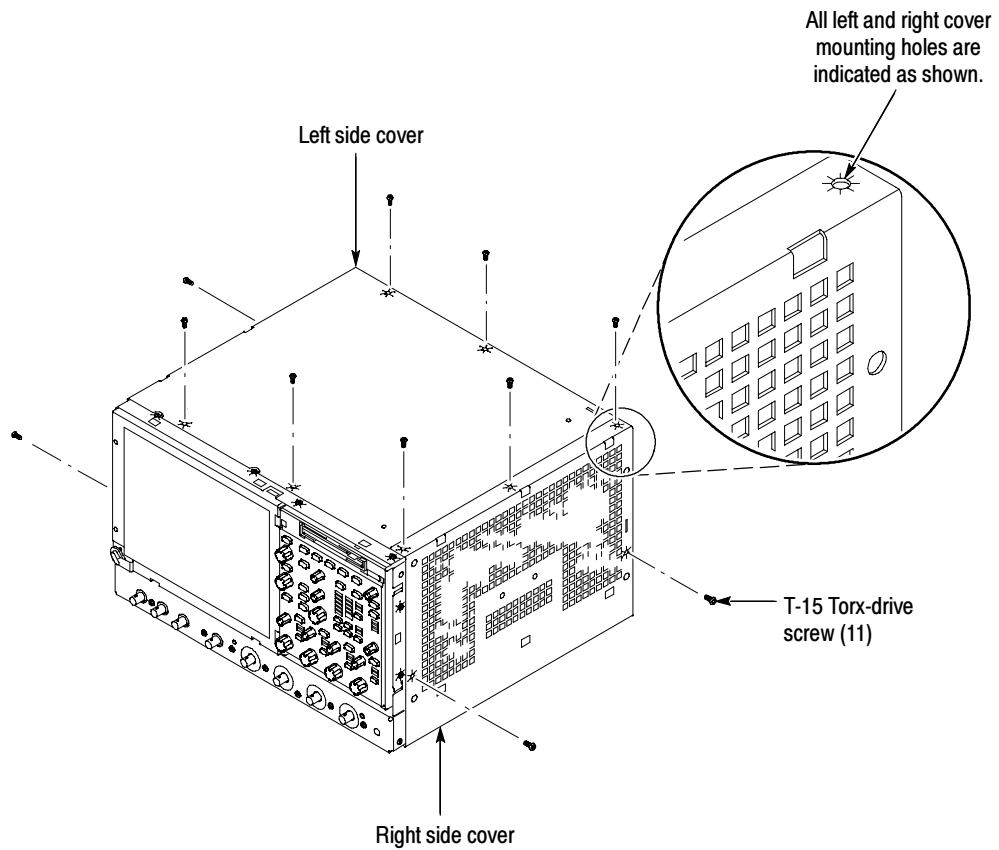


Figure 3: Cover removal

- c. Remove the seven T-15 Torx-drive screws that secure the covers to the bottom of the chassis (see Figure 4).



CAUTION. To prevent damage to the instrument, take care not to catch the covers on the internal cabling when removing or installing the covers.

- d. Pull the bottom right cover down, and slide the cover to the right to remove it from the instrument.
- e. Pull the top left cover up, and slide the cover to the left to remove it from the instrument.

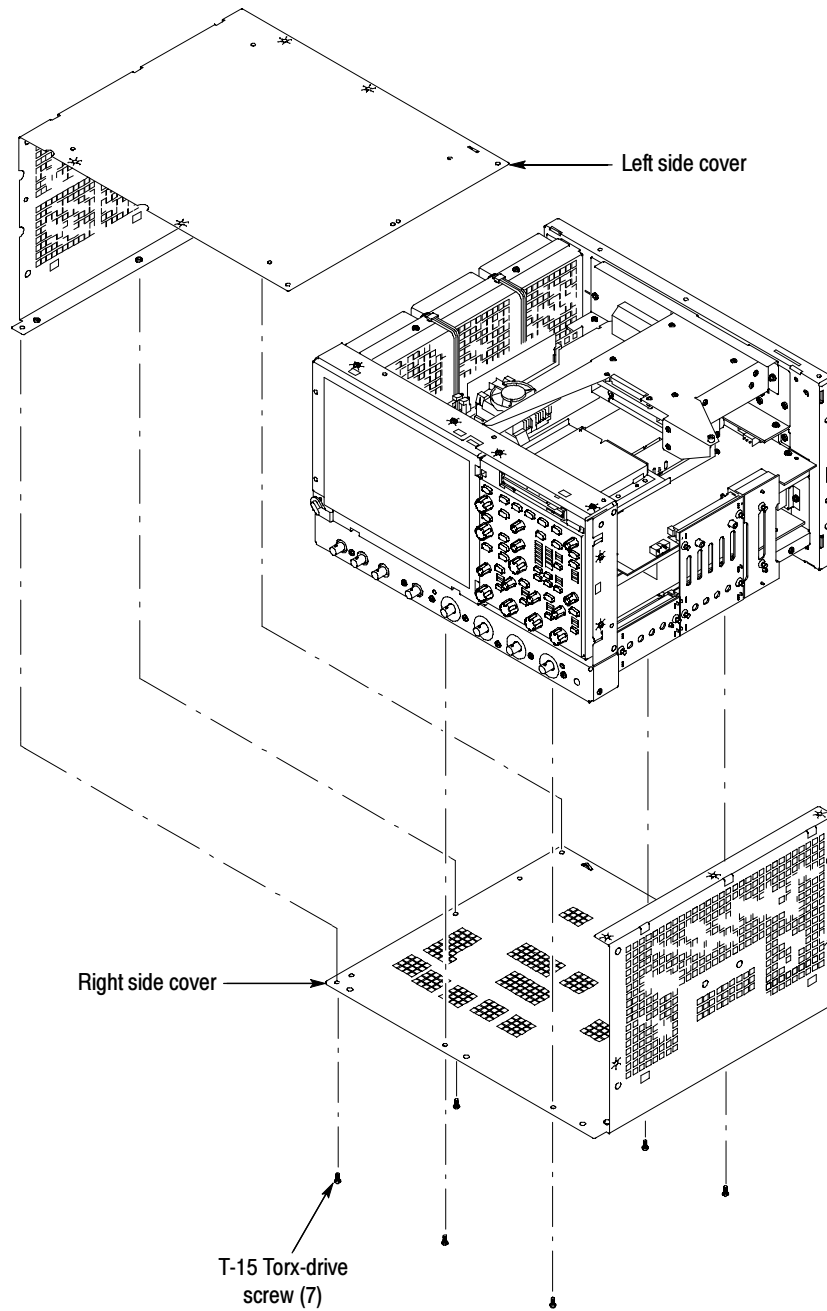


Figure 4: Cover removal

9. Remove the CD drive assembly.

Refer to Figure 5 when performing the following steps:

- a.** Remove the two T-15 Torx-drive screws that secure the CD drive assembly to the rear chassis.

- b. Disconnect the CD drive ribbon cable from J230 on the Riser circuit board.
 - c. Slide the CD drive assembly (with the ribbon cable attached) toward the rear of the chassis, and remove the assembly from the instrument.
- 10.** Remove the CD drive bracket and CD drive interface board.
- a. Remove the four #0 Phillips screws that secure the bracket to the CD drive, and remove the CD drive from the bracket.
 - b. Remove the CD drive interface board from the CD drive by pulling the interface board straight back until it separates from the CD drive.
 - c. Set aside the removed CD drive.

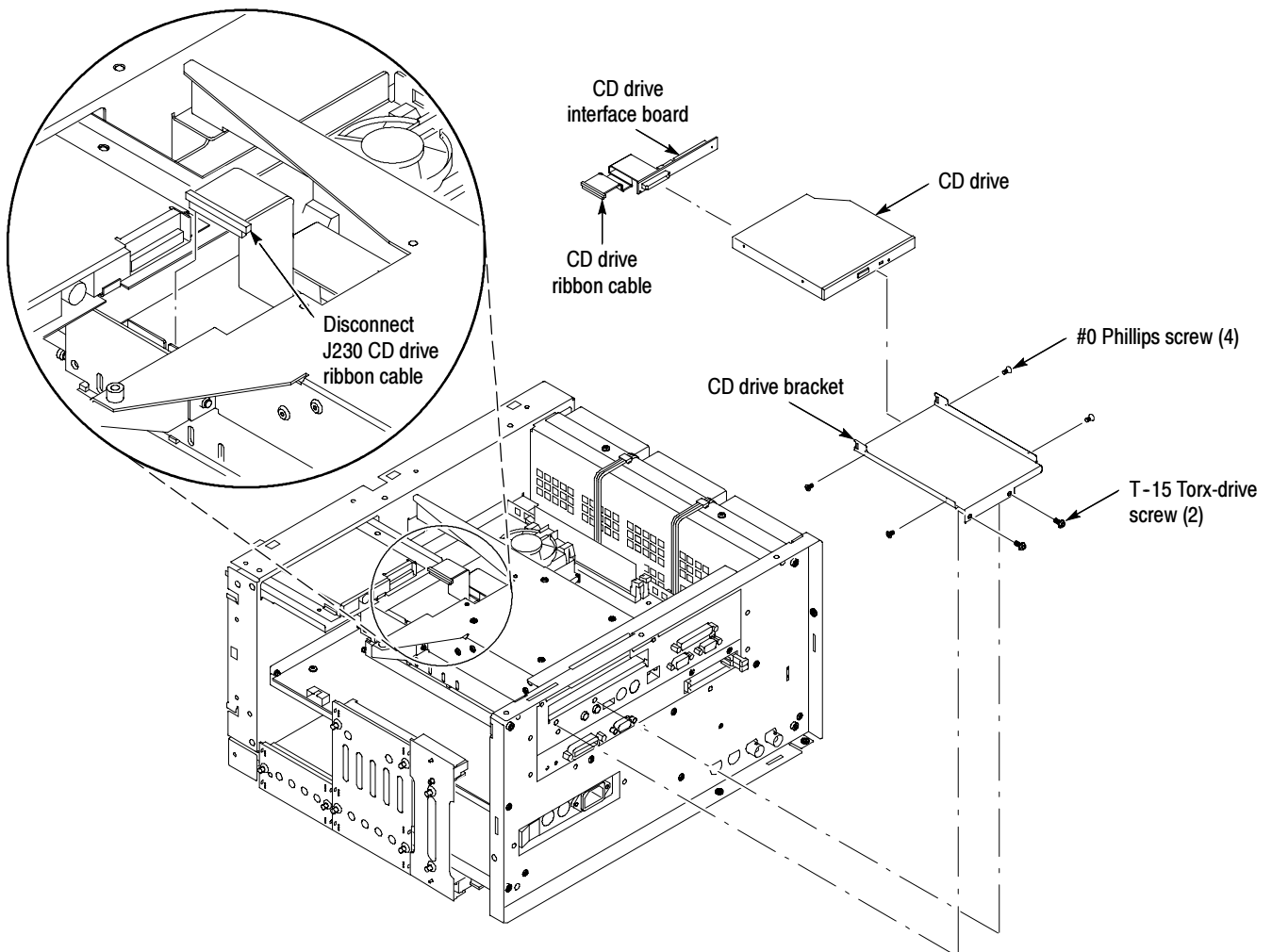


Figure 5: CD drive and bracket removal

Install and Reassemble

Use the following procedure to install the new CD-RW drive:

1. Assemble the CD drive bracket, CD-RW drive, and the drive interface board.

Refer to Figure 5 when performing the following steps:

- a. Find the new CD-RW drive supplied with this upgrade.
- b. Carefully attach the CD drive interface board to the CD-RW drive, supplied with this upgrade, by aligning the pins and pushing the interface board onto the drive until it is attached to the CD-RW drive.
- c. Place the CD-RW drive on the bracket (use the correct part, see the note), and install the four #0 Phillips screws to secure the bracket to the CD-RW drive.

2. Install the CD drive assembly.

Refer to Figure 5 when performing the following steps:

- a. Slide the CD drive assembly toward the front of the chassis, and install the assembly in the instrument.
- b. Connect the CD drive ribbon cable to J230 on the drive interface board.
- c. Install the two T-15 Torx-drive screws that secure the CD drive assembly to the rear chassis.

3. Reassemble the instrument by performing steps 2 through 8 of the Remove procedure in reverse order.

Using the CD-RW Drive

Tektronix recommends that you use the *Click'N Burn Pro* software, shipped with this upgrade, to create CD-RW and CD-R discs. One advantage of this software is that the screen size of the application (640x480 pixels) matches the screen resolution of your CSA/TDS7000 Series instrument, so the user interface for the application displays properly on the screen.

A limitation of the *Click'N Burn Pro* software is that files burned onto the CD using the Drive Letter Access mode cannot be read by systems that do not have *Click'N Burn Pro* software installed. This affects CD-RW media only.

An alternative to *Click'N Burn Pro* is the *Easy CD Creator* software by Roxio. The advantage of this software is that all features work with the CSA/TDS7000 Series instruments. However, a limitation of the *Easy CD Creator* software is that the product requires a display resolution of 800x600 pixels. Since the screen resolution of the CSA/TDS7000 Series instrument is 640x480 pixels, it does not display the entire application window. This requires you to move parts of the application off the screen to access some of the controls.

NOTE. *The Tektronix CSA/TDS7000 series instruments require that the screen resolution be 640x480 pixels.*

Perform the following steps to use your new CD-RW drive:

1. Connect the power cord to the rear panel of the instrument.
2. Switch the power switch on the rear panel to the on position.
3. Push the Standby/On button to power on the instrument.
4. After the instrument application opens, select Minimize from the File menu to minimize the application.
5. Keep the Click'N Burn jewel case handy as you will need information from the jewel case to install the software.
6. Refer to the *Click'N Burn Pro User's Manual* and *Quick Start Guide*, on the Click'N Burn CD, for instructions on loading and using the CD recording software.
7. After installing the Click'N Burn software, insert the floppy disk with the Click'N Burn software patch into the floppy disk drive.
8. Run PxEngineUpdate342.exe from the floppy disk and follow the on-screen instructions to install the patch.

■ End of document ■

